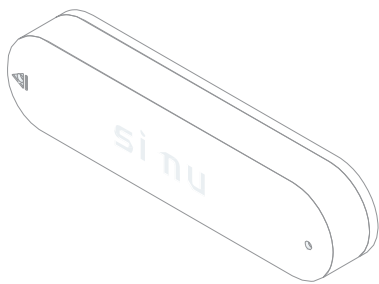


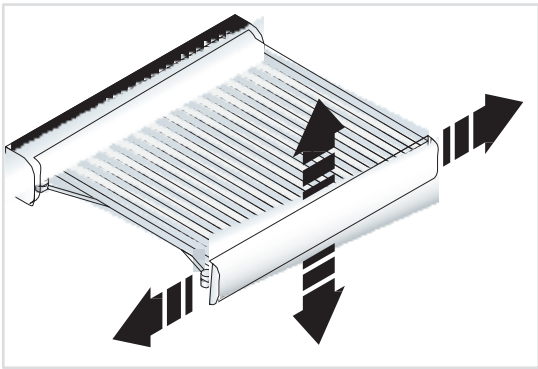
WINDY Hz ACCEL, MOTION SENSOR

FOR FOLDING-ARM AWNINGS

- **Smart & Convenient:** *Windy Hz Accel* protects the awning against the wind causing it to retract automatically.
- **Wireless:** with no wires to connect, the *Windy Hz Accel* can be installed quickly. The sensor draws power from 2 AAA batteries (LR03).
- **3D Wind detection:** *Windy Hz Accel* detects horizontal, lateral and vertical movements of the awning.
- **Intuitive programming:** with the sensor installed on the inside of the front bar of the awning, simply shake the awning with your hand to record in the sensor's memory the magnitude of movement that should not be exceeded. This adjustment can also be set using a potentiometer control within the sensor's enclosure.
- **Maintenance-free:** the *Windy Hz Accel* is durable and needs no maintenance. When the battery level is low, an indicator warns the end-user, who can easily replace the batteries without assistance.
- **Auto-save function:** by removing the sensor from the support base, the sensor is momentary deactivated which prevents the awning from being retracted. The programmed settings are stored in the *Windy Hz Accel* sensor's memory.



OPERATING PRINCIPLE



The motion sensor detects horizontal, vertical and lateral movement of the awning.

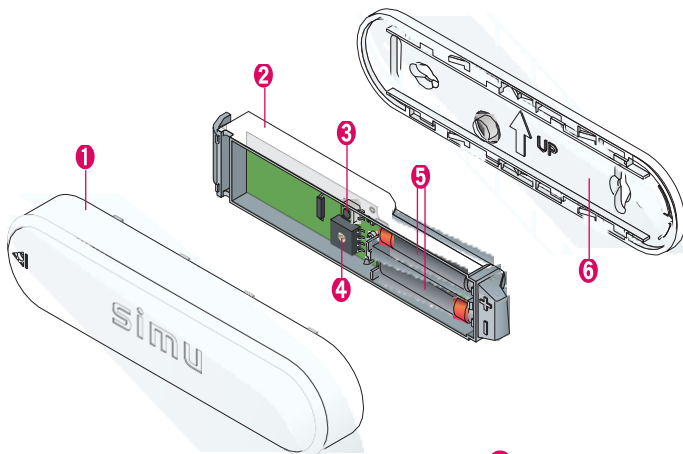
As soon as the preset threshold is exceeded, the sensor communicates with the SIMU tubular motor via SIMU's unique Hz technology, automatically retracting the awning.

INSTALLATION INSTRUCTIONS



Windy Hz Accel has to be fitted to the inside surface of one end of the front bar (motor side), to optimize sensitivity to wind generated movements

TECHNICAL SPECIFICATIONS



POWER SUPPLY: 2 AAA alkaline batteries (LR03) 1.5V

MOTOR COMPATIBILITY: Hz.02, ESP Hz, or DMI Hz.01 motors with a built-in SIMU-Hz receiver

RADIO FREQUENCY: 433.42 MHz

RANGE: 20m in freefield

PROTECTION INDEX: IP44

SIZE: 25x38x153mm (hxlxL)

- ❶ Casing
- ❷ Sensor
- ❸ PROG button
- ❹ Potentiometer
- ❺ AAA (LR03) 1.5V alkaline battery
- ❻ Support plate

SIMU Automation products distributed in New Zealand by:



Rainbow Shade Products NZ (2008) Ltd