

HIGH QUALITY, RELIABLE, VERSATILE MOTORISATION FOR THE REMOTE CONTROL OF ROLLER SHUTTERS & ZIPTRAK® BLINDS



SIMU T5 E Hz 240 VOLT ELECTRONIC TUBULAR MOTOR WITH AUTOMATIC LIMIT SETTINGS & INTEGRATED RADIO RECEIVER



INTELLIGENT, SAFE, RELIABLE, WIRELESS, FLEXIBLE & EASILY INTEGRATED

The most versatile motor in the SIMU range, the **T5 E Hz** allows you the freedom of wireless remote control thanks to its in-built radio receiver, and offers 4 different limit setting modes including fully automatic (with the use of rigid fasteners and bottom bar stoppers), semi-automatic and electronic manual limit setting, that save you time and offer flexibility depending on your application.

Ideal for roller-shutters and Ziptrak® blinds, the **T5 E Hz** range also incorporates obstacle and frost detection and will automatically stop when the motor over-torques. Sensing and reacting to resistance or obstacles helps protect the user, their property and the installation.

The **T5 E Hz** range is also ideal for use with Ziptrak® blinds when the limits are set in semi-automatic mode with the automatic setting in the up position leaving the Ziptrak® blinds fully tensioned.



THREE LIFTING CAPACITIES

The high performance T5 E Hz is available in 3 different torques (10Nm, 20Nm, 35Nm).

STURDY, COMPLETELY INTEGRATED, QUALITY CONSTRUCTION

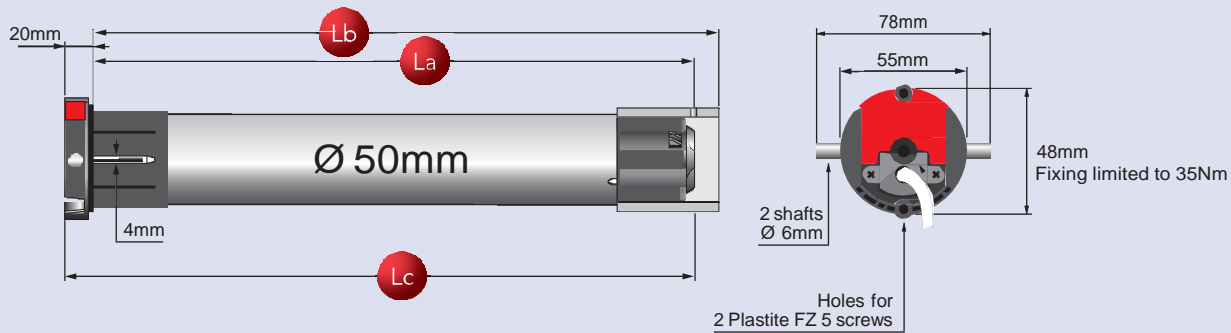
SIMU tubular motors are made in France and are reputed for high quality and reliability.

Other features include:

- Integrated SIMU Hz radio remote control receiver
- Obstacle and frost detection.
- Safe and secure rolling code radio system with over 16 million possible combinations.
- Powerful radio remote control range of up to 200m in free field and 20m between 2 concrete walls.
- 4 different limit setting modes including fully automatic (with the use of rigid fasteners and bottom bar stoppers), semi-automatic and electronic manual limit setting
- When using rigid fasteners, the roller shutter is locked down when in the fully closed position
- Easy to set and accurate end-limit system via remote control (when not in automatic setting mode)
- Thermal cut-out protection system
- Suitable for a wide range of adaptations and tube sizes.



MOTOR DIMENSIONS



- La** : Length between the end and the drilling point of the tube
- Lb** : Adapted motor size in the tube
- Lc** : Total motor length

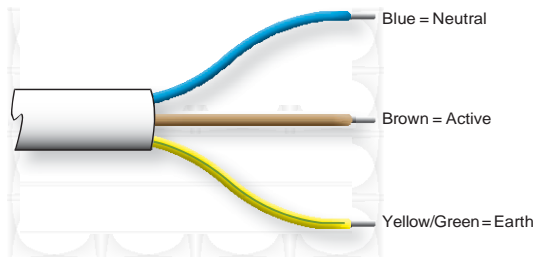
MODEL NUMBERS & TECHNICAL SPECIFICATIONS

Product Code	Model Number	Torque (Nm)	Speed (rpm)	Power (W)	Current (A)	La (mm)	Lb (mm)	Lc (mm)
30-999-325	T5 E Hz - 10/17	10	17	120	0.50	660	673	681
30-999-326	T5 E Hz - 20/17	20	17	160	0.75	660	673	681
30-999-327	T5 E Hz - 35/17	35	17	240	1.10	660	673	681

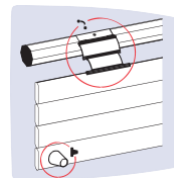
GENERAL T5 E Hz TECHNICAL SPECIFICATIONS

Power supply	240 Volts – 50 Hz
Thermal cut-out	4 minutes
End-limit switch with electronic counting	Operating limited to 3 minutes
Protection index	IP 44
Ambient temperature of use	From -10°C to +40°C and exceptionally: from -20°C to +70°C
Power supply cable	230V - 3 x 0.75mm ² wires - White HO5 VVF - 2.5m or 5m length
Radio frequency	433.42MHz
Secure communication	Thanks to "Rolling Code" encoding technology which enables more than 16 million combinations
Range Depending on environment and radio pollution	- 200m in free field - 20m between two reinforced concrete walls
Automatic readjustment of the end-limit position	Every 56 cycles
Base diameter for round tube	Ø50 x 1.5mm

MOTOR WIRING CONNECTIONS



INTERNATIONAL STANDARDS



The T5 E Hz offers fully automatic limit setting mode with the use of rigidfasteners and bottom bar stoppers.

Installation Note: Motors must be wired by a certified electrician. Horizontal mount only. Mounting brackets, crowns and driving wheels to suit tube size must be used with this motor.

General Note: All photos for illustrative purposes only. Technical specifications are correct at time of printing and may change without notice.

Distributed in New Zealand by:



Rainbow Shade Products NZ (2008) Ltd

413 Queen Street West, Hastings 4122

Free phone: 0508 665 665

e-mail: rainbowshade@xtra.co.nz

www.rainbowshade.co.nz



