

HIGH QUALITY, VERSATILE MOTORISATION FOR THE REMOTE CONTROL OF ROLLER SHUTTERS, INTERNAL BLINDS, EXTERNAL BLINDS, AWNINGS & PROJECTION SCREENS



SIMU T5 Hz02 240 VOLT TUBULAR MOTOR WITH INTEGRATED RADIO RECEIVER



INTELLIGENT, QUIET AND VERSATILE

Completely integrated with SIMU's advanced Hz Radio Remote Control Technology, the T5 Hz02 range of tubular motors makes installing a breeze. End-limit positions are easily programmed via your remote control, eliminating any need for accessing the motor head. These versatile motors are quiet and very energy efficient. All feature an intermediate/favourite position feature that is easily set/modified directly from your remote.

FIVE LIFTING CAPACITIES

The high performance T5 Hz02 is available in 5 different torques (8Nm, 15Nm, 25Nm, 35Nm, 50Nm) allowing the lift of a wide range of applications.

STURDY, COMPLETELY INTEGRATED, QUALITY CONSTRUCTION

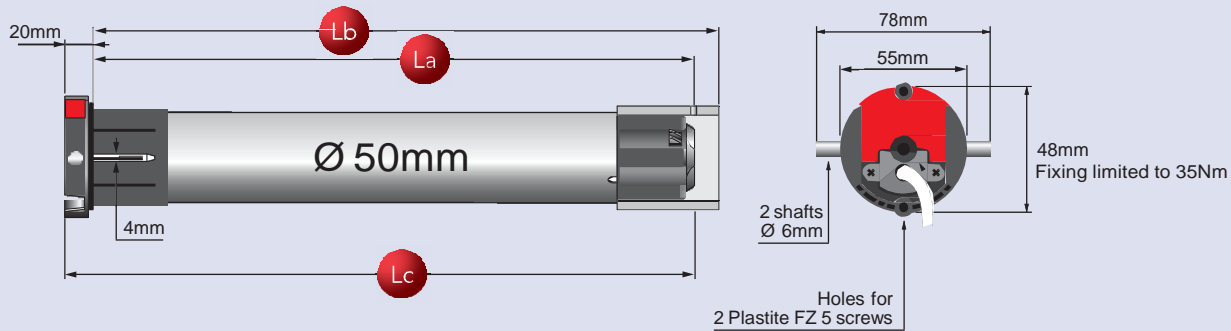
SIMU tubular motors are made in France and are reputed for high quality and reliability.

Other features include

- Integrated SIMU Hz radio remote control receiver
- Easy to set and accurate remote control end-limit system
- Safe and secure rolling code radio system with over 16 million possible combinations
- Powerful radio remote control range of up to 200m in free field and 20m between 2 concrete walls
- Thermal cut-out protection system
- Suitable for a wide range of adaptations and tube sizes



MOTOR DIMENSIONS



- La** : Length between the end and the drilling point of the tube
- Lb** : Adapted motor size in the tube
- Lc** : Total motor length

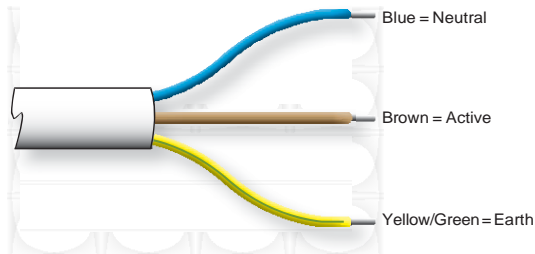
MODEL NUMBERS & TECHNICAL SPECIFICATIONS

*ÄÖÛ ÇÛ	Model Number	Torque (Nm)	Speed (rpm)	Power (W)	Current (A)	LA (mm)	LB (mm)	LC (mm)
30-902-508	T5 Hz02 - 8/17	8	17	100	0.45	590	603	611
30-902-515	T5 Hz02 - 15/17	15	17	140	0.65	660	673	681
30-902-525	T5 Hz02 - 25/17	25	17	170	0.80	660	673	681
30-902-535	T5 Hz02 - 35/17	35	17	240	1.10	660	673	681
30-902-550	T5 Hz02 - 50/12	50	12	240	1.10	660	673	681

GENERAL T5 Hz02 TECHNICAL SPECIFICATIONS

Power supply	240 Volts – 50 Hz
Thermal cut-out	4 minutes
End-limit switch with electronic counting	Operating limited to 3 minutes
Protection index	IP 44
Ambient temperature of use	From -10°C to +40°C and exceptionally: From -20°C to +70°C
Power supply cable	230V - 3 x 0.75mm ² wires - White HO5 VVF 2.5m or 5m length
Radio frequency	433.42MHz
Secure communication	Thanks to "Rolling Code" encoding technology which enables more than 16 million
Range Depending on environment and radio pollution	- 200m in free field - 20m between two reinforced concrete walls
Base diameter for round tube	Ø50 x 1.5mm

MOTOR WIRING CONNECTIONS



INTERNATIONAL STANDARDS



Installation Note: Motors must be wired by a certified electrician. Horizontal mount only. Mounting brackets, crowns and driving wheels to suit tube size must be used with this motor. General Note: All photos for illustrative purposes only. Technical specifications are correct at time of printing and may change without notice.

Distributed in New Zealand by:



Rainbow Shade Products NZ (2008) Ltd

413 Queen Street West, Hastings 4122
Free phone: 0508 665 665
e-mail: rainbowshade@xtra.co.nz
www.rainbowshade.co.nz

