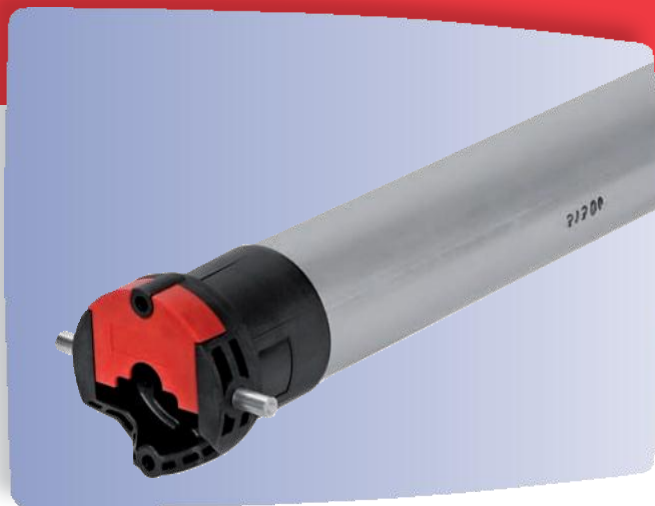


HIGH QUALITY, RELIABLE MOTORISATION FOR THE REMOTE CONTROL OF CASSETTE AWNINGS



SIMU T5 ESP Hz 240V ELECTRONIC TUBULAR MOTOR WITH SEMI-AUTOMATIC LIMIT SETTINGS & INTEGRATED RADIO RECEIVER



INTELLIGENT, SAFE, RELIABLE, WIRELESS, FLEXIBLE & EASILY INTEGRATED

The intelligent T5 ESP Hz is ideal for use with cassette awnings and is integrated with SIMU's advanced Hz Radio Remote Control Technology. Installing is a breeze and you can have the freedom, comfort and control of your awning wirelessly via the stylish range of SIMU Hz transmitters.

With an automatic up-limit setting, the motor will automatically stop at the up-limit when the motor over-torques and senses resistance. Because of this feature the cassette-awning has complete closure of the cassette, allowing the aesthetics of the product to be maintained, as well as protecting the awning fabric.

The down-limit is set via a SIMU Hz radio remote control, removing the need to access the motor head for the down-limit setting.

The T5 ESP Hz is compatible with the intelligent SIMU EOSUN Hz Wireless Radio Sun & Wind Sensor which automatically retracts the awning in windy conditions thus protecting the awning, or automatically opens in sunny conditions to offer sun protection.

TWO LIFTING CAPACITIES

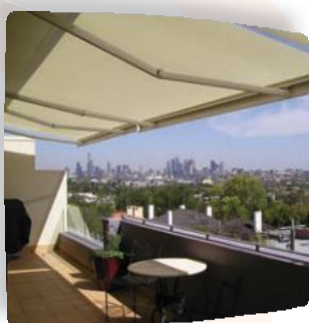
The high performance T5 ESP Hz is available in 2 different torques (35Nm, 50Nm).

STURDY, QUALITY CONSTRUCTION

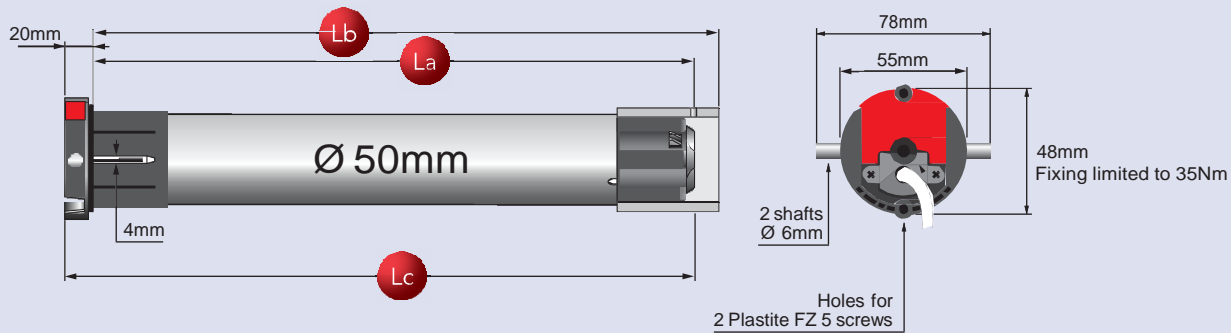
SIMU tubular motors are made in France and are reputed for high quality and reliability.

Other features include:

- Integrated SIMU Hz radio remote control receiver
- Obstacle and frost detection
- Easy to set and accurate semi-automatic down-limit system (with down-limit being set by remote control)
- Automatic up-limit setting ensures the awning is always fully retracted into the cassette.
- Safe and secure rolling code radio system with over 16 million possible combinations.
- Powerful radio remote control range of up to 200m in free open field and 20m between 2 concrete walls
- Thermal cut-out protection system
- Suitable for a wide range of adaptations and tube sizes



MOTOR DIMENSIONS



- La** : Length between the end and the drilling point of the tube
- Lb** : Adapted motor size in the tube
- Lc** : Total motor length

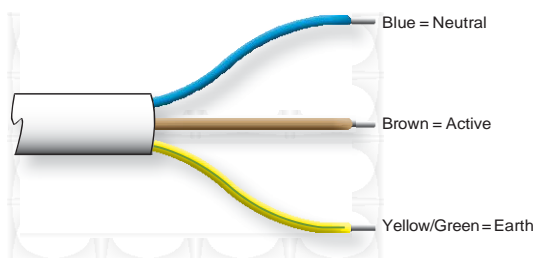
MODEL NUMBERS & TECHNICAL SPECIFICATIONS

Product Code	Model Number	Torque (Nm)	Speed (rpm)	Power (W)	Current (A)	La (mm)	Lb (mm)	Lc (mm)
30-900-335	T5ESPHz-35/17	35	17	240	1.10	660	673	681
30-900-350	T5ESPHz-50/12	50	12	240	1.10	660	673	681

GENERAL T5ESPHz TECHNICAL SPECIFICATIONS

Power supply	240 Volts – 50 Hz
Thermal cut-out	4 minutes
End-limit switch with electronic counting	Operating limited to 3 minutes
Protection index	IP 44
Ambient temperature of use	From -10°C to +40°C And exceptionally From -20°C to +70°C
Power supply cable	230V - 3 x 0.75mm ² wires - White HO5 VVF - 2.5m length - Black HO5 RRF - 0.7m length
Radio frequency	433.42 MHz
Secure communication	Thanks to Rolling Code encoding technology which enables more than 16 million combinations
Range Depending on environment and radio pollution	- 200m in free field - 20m between two reinforced concrete walls
Base diameter for round tube	Ø50x1.5mm
Conform to	E.M.C. (Electromagnetic Compatibility) and D.B.T. standards

MOTOR WIRING CONNECTIONS



INTERNATIONAL STANDARDS



Installation Note: Motors must be wired by a certified electrician. Horizontal mount only. Mounting brackets, crowns and driving wheels to suit tube size must be used with this motor.
General Note: All photos for illustrative purposes only. Technical specifications are correct at time of printing and may change without notice.

Distributed in New Zealand by:



Rainbow Shade Products NZ (2008) Ltd

413 Queen Street West, Hastings 4122

Free phone: 0508 665 665

e-mail: rainbowshade@xtra.co.nz

www.rainbowshade.co.nz



